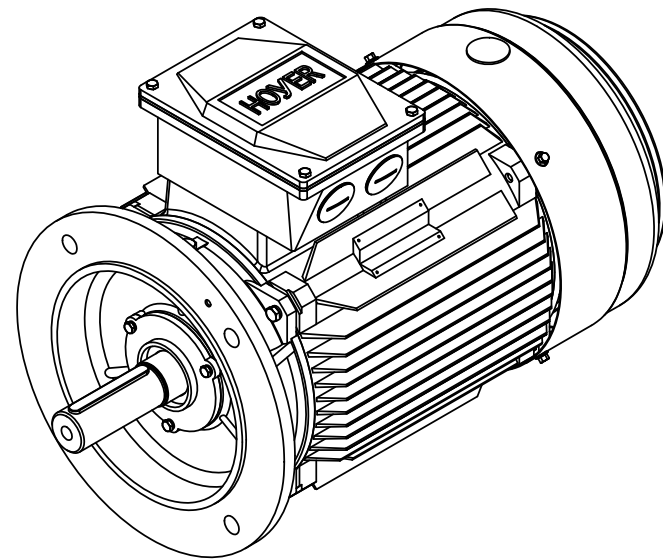



SECTION A-A
SCALE 1 : 2



Remark:

- 1、 Eye bolt 2XM12
- 2、 Blind caps are 2xM40x1.5 and 2xM20x1.5

 Hoyer Motors Over Hadstensevej 42, DK-8370 Hadsten Tel : +45 86982111 Fax: +45 86981779 www.hoyermotors.com		DEBUR AND BREAK SHARP EDGES	DO NOT SCALE DRAWING		REVISION	01	
			TITLE:				HMC3-160L-2,4,6p-B5
DRAWN	JJI	SIGNATURE	DATE	20140814	DWG NO.		90021
CHK'D					SCALE:1:10		A3
APPV'D					SHEET 1 OF 1		
MFG					MATERIAL:		cast iron
Q.A					WEIGHT: kg		